

# JONSSON

## COMPACT SHRIMP PEELER



Tail on butterfly



Completely peeled and deveined



Completely peeled and deveined, split



EZ peel

The compact automatic shrimp peeling machine is more cost effective than ever before for restaurants, seafood markets and other food service operations.



### FEATURES

- 10 times faster than hand peeling.
- Provides unsurpassed uniformity and product quality.
- Cleaner peeled shrimp mean less handling.
- Cuts lead time so you serve fresher product.
- Peel any size from 10 to 90 count.
- Peel any kind: all warm water shrimp, wild or pond raised, fresh or previously frozen.
- Peel these styles: tail on or tail off: choose round, butterfly or EZ peel.

## BENEFITS

### Peels Faster

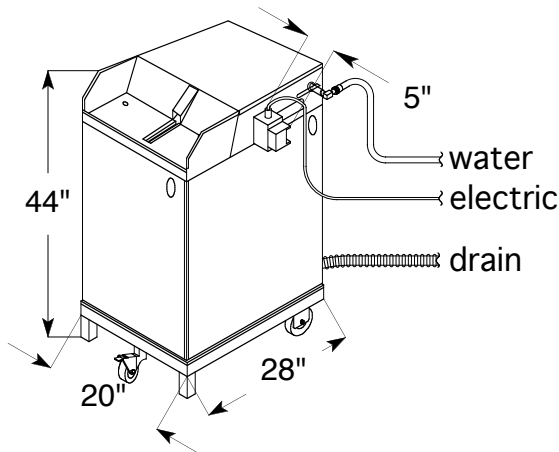
- Meet peak demands easily without additional personnel.
- Easy to operate, paces the operator at a high, comfortable rate of 3000 shrimp per hour.

### Peel better

- Uniform cut mean you serve the most attractive looking shrimp.
- Patented systems guarantee every shrimp is cut down the middle and the exact same depth.

### Peels cheaper

- Can significantly reduce labor costs
- Takes up less than 4 square feet of floor space. Rolls out of the way when peeling is completed.
- Corrosion resistant materials
- Open design provides access for cleaning and maintenance.
- Less handling means contamination is minimized.



13822 LAUREL DRIVE  
LAKE FOREST, IL 60045 USA  
Phone 847.247.4200  
Fax 847.247.4272

Productivity Shown In Pounds per Hour		
Input of Raw Headless Shrimp		
Shrimp Size No. Per LB.	Machine Speed	
	Maximum	Realistic
10/15 count	250 lbs.	170 lbs.
16/20	170	115
21/25	130	90
26/30	110	70
31/35	90	60
36/40	80	55
41/50	65	45
51/60	55	35
61/70	45	30
71/90	40	25

Column 1 shows the maximum machine speed of 3,000 per hour.

Column 2 shows actual, achievable, experience based productivity of 2,000 per hour.

The larger the shrimp, the greater the productivity in pounds.

Production will be less than machine speed because of the time required to empty peeled shrimp and shell boxes.

For our customer's who need to peel tail-on western style, we have a machine that will peel all the styles listed above, plus western. Ask us for details.

### Water

- 35 to 45 gallons per hour
- 30 to 50 psi pressure
- Floor drainage is required

### Electricity

- Standard electric is 115 volt, 60 Hz.
- 1/3 rd hp motor draws 5.6 amp.
- Can be wired for 220 volt, 50 Hz.

### Weight

- 325 pounds net, 420 pounds shipping

GREGOR  
**JONSSON**  
INC.   
SHRIMP PEELING SYSTEMS